



SERVING THE FOOD INDUSTRY SINCE 1951

## Slush Machine

Item: 26058 | 26059 | 26060  
 12L | 24L | 36L

Serve refreshing frozen drinks easily with Omcan slush machines.

Perfect for frozen favorites like smoothies, slushies, and granitas, as well as chilled drinks like iced tea, lemonade, or juice, this versatile dispenser helps maximize beverage sales by showcasing your most profitable offerings.

#26058



#26059



#26060



### FEATURES

- High density anti-cracking polycarbonate bowl
- User-friendly digital controller
- With both frozen mode and juice mode functions
- Easy to clean
- Built-in LED lighting
- Side-by-side ventilation system

Telephone: 1-800-465-0234

Fax: (905) 607-0234

Email: sales@omcan.com

Website: www.omcan.com



Authorized Dealer



Made in China

# Slush Machine

Item: 26058 | 26059 | 26060

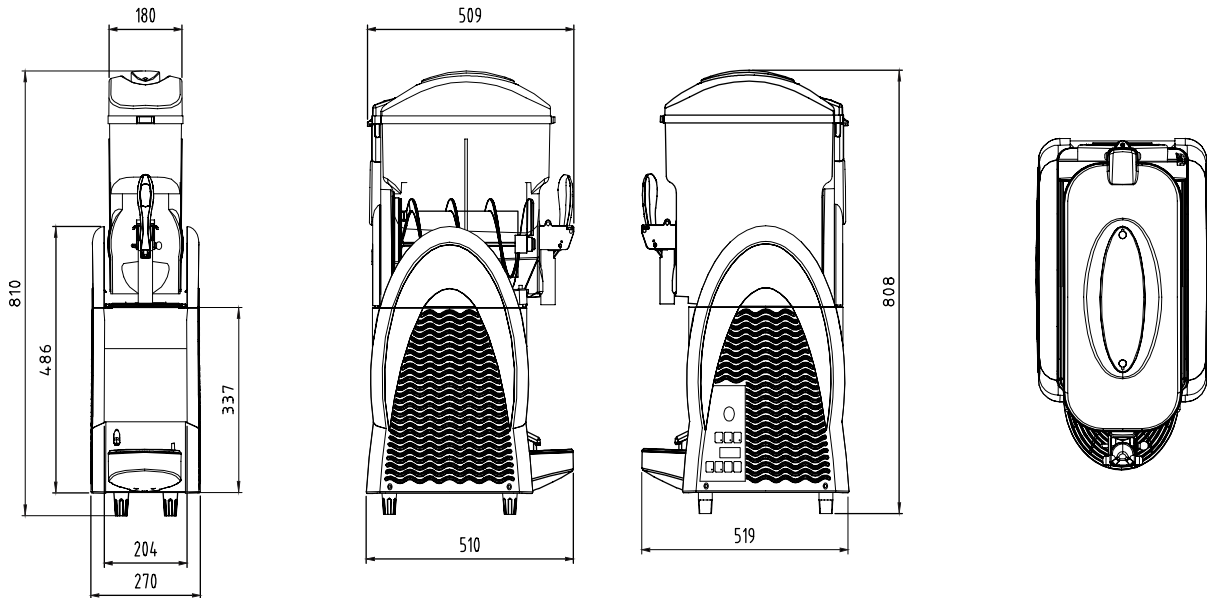


## TECHNICAL SPECIFICATIONS

| Item                   | 26058   | 26059   | 26060   |
|------------------------|---|---|---|
| Feature                | Single Bowl                                   | Double Bowl                                   | Triple Bowl                                   |
| Capacity               | 12 L (3.1 Gal)                                | 12 L x 2 (6.3 Gal)                            | 12 L x 3 (9.5 Gal)                            |
| Material               | PC  |   |   |
| Color                  | Black   |   |   |
| Power                  | 440 W   | 850 W   | 1200 W  |
| Amps                   | 4.3 A   | 7.1 A   | 10 A  |
| Plug Type              | NEMA 5 - 15 P                                 |   |   |
| Insulation Material    | Cyclopentane                                  |   |   |
| Refrigerant            | R290  |   |   |
| Cooling System         | Direct Cooling                                |   |   |
| Temperature Range      | 13 to 50 °F (-10 to 10°C)                     |   |   |
| Net Dimensions (WDH)   | 10.6" x 20.3" x 32"<br>(270 x 515 x 810 mm)   | 18.5" x 20.3" x 32"<br>(470 x 515 x 810 mm)   | 26.4" x 20.3" x 32"<br>(670 x 515 x 810 mm)   |
| Gross Dimensions (WDH) | 13.8" x 23.2" x 37.4"<br>(350 x 590 x 950 mm) | 21.6" x 23.2" x 37.4"<br>(550 x 590 x 950 mm) | 29.5" x 23.2" x 37.4"<br>(750 x 590 x 950 mm) |
| Net Weight             | 66 lb (30 kg)                                 | 108 lb (49 kg)                                | 143 lb (65 kg)                                |
| Gross Weight           | 84 lb (38 kg)                                 | 132 lb (60 kg)                                | 174 lb (79 kg)                                |

## TECHNICAL DRAWINGS

#26058



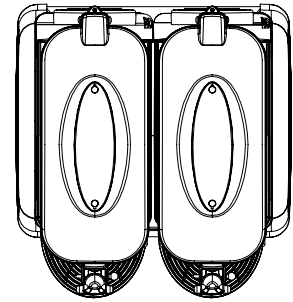
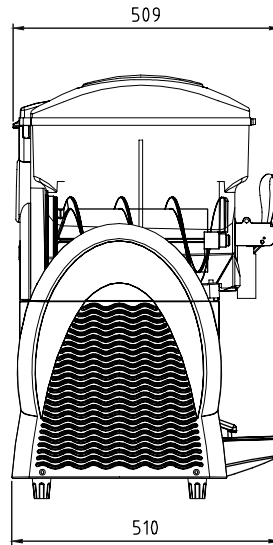
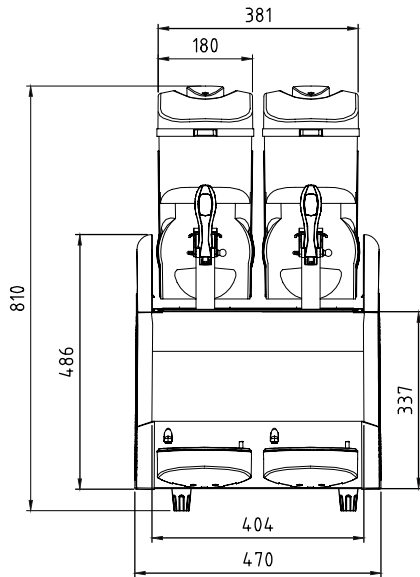
# Slush Machine

Item: 26058 | 26059 | 26060



## TECHNICAL DRAWINGS

#26059



#26060

